

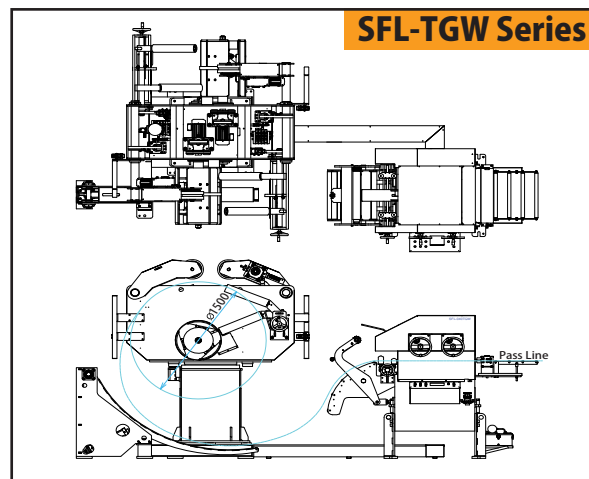
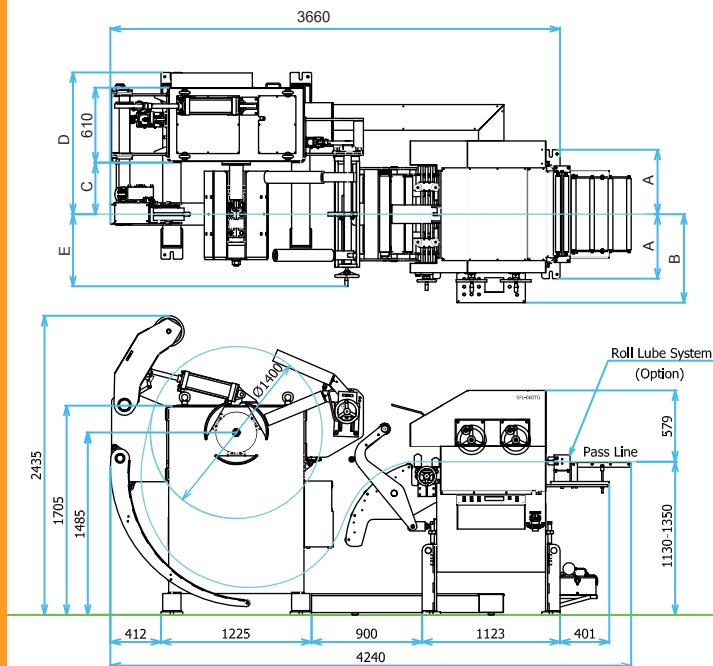
STRAIGHTENER FEEDER

SFL-TG Series



CREATE
MECHATRONICS

Major Dimension



	A	B	C	D	E
SFL-040 TG	425	617	320	1105	487
SFL-050 TG	475	667	370	1155	537
SFL-060 TG	525	717	420	1205	587
SFL-080 TG	575	767	470	1255	637

Specifications

Model	SFL-040 TG	SFL-050 TG	SFL-060 TG	SFL-080 TG
Stock Width (mm)	70 ~ 400	70 ~ 500	70 ~ 600	70 ~ 800
Stock Thickness (mm)	0.6 ~ 6.0	0.6 ~ 6.0	0.6 ~ 6.0	0.6 ~ 6.0
Coil Weight Max. (kg)	3000	3000	5000	8000
Coil O.D.Max. (mm)	1400	1400	1400	1400
Coil I.D. (mm)	508	508	508	508
Line Speed (M/mm)	18	18	18	18
Work Roll Number (Pcs)	Up 4 / Down 3	Up 4 / Down 3	Up 4 / Down 3	Up 4 / Down 3
Feed Roll Number (Set)	Upper1/Lower1	Upper1/Lower1	Upper1/Lower1	Upper1/Lower1
Main Motor (kw)	AC 6.0	AC 6.0	AC 6.0	AC 6.0
Mandrel Expansion	Pneumatic	Pneumatic	Pneumatic	Pneumatic
Reel Motor (kw)	2.2	2.2	2.2	2.2
Power (V)	200/220 V, 3 P	200/220 V, 3 P	200/220 V, 3 P	200/220 V, 3 P
Operating Air (kgf/cm ²)	5	5	5	5

Straightening Performance

Model	SFL-040 TG	SFL-050 TG	SFL-060 TG	SFL-080 TG
Stock Thickness	0.6 ~ 1.6	400	500	600
	2.0			
	2.3			
	2.5			
	2.8			
	3.2			
	4.0			
	4.5			
	5.0			
6.0	203	203	203	203

Create Mechatronics Co.,Ltd.

33/36 Moo 4 Tambol Khokchang, Amphur Bangsai, Pranakorn Sri Ayutthaya, 13190, Thailand

Tel: 035-950-496-7, 02-199-3911-2, Fax: 02-199-3913

E-Mail: sales@create.co.th

URL: <http://www.createmechatronics.com>

ID Line : @sales_create

