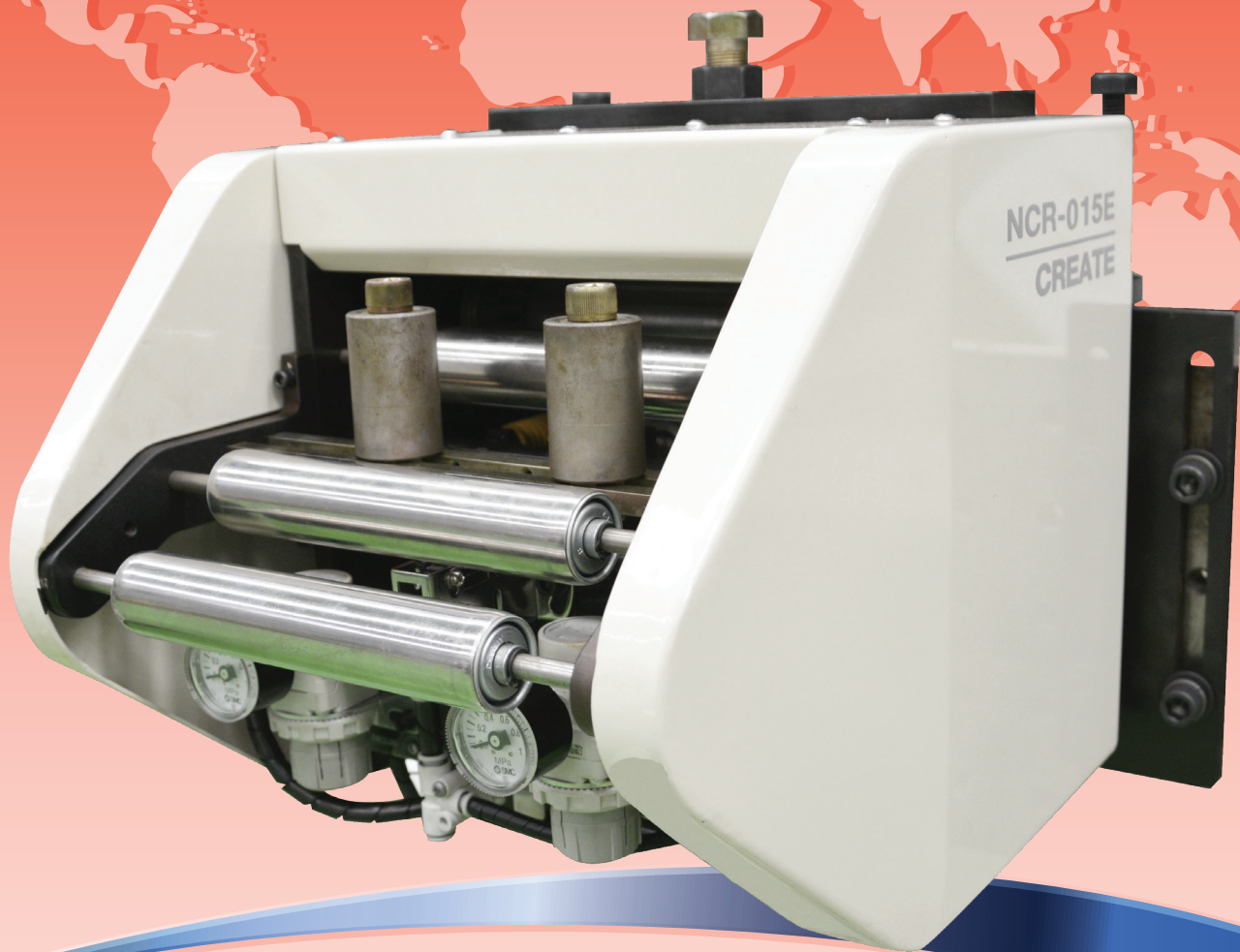


SERVO ROLL FEEDER

● NCR-E Series



SERVO ROLL FEEDER

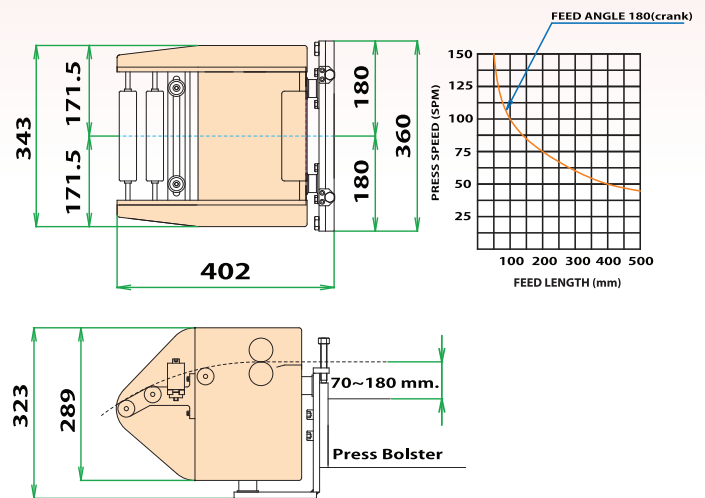
● NCR-E Series



Major Dimension



Operation Panel



Specification

MODEL	NCR-150E
Stock Thickness. X Width	0.1~2.3 X 150 mm.
Roll Pressure	Air+Spring
Roll Lift	Pneumatic Cylinder
Servo Motor	400 W.
Top Speed	1.25 M/S
Feed Length Max.	9999.99 mm.
Pass Line Height	70 - 180 mm.
Inlet Guide	Roll Type
Power Supply	AC200/220V, .PH
Repeatability	± 0.2 mm.

Create Mechatronics Co.,Ltd.

33/36 Moo 4 Tambol Khokchang, Amphur Bangsai, Pranakorn Sri Ayutthaya,13190, Thailand

Tel:02-199-3911-2, Fax: 02-199-3913

E-Mail: sales@create.co.th

URL: <http://www.createmechatronics.com>

ID Line : @sales_create

