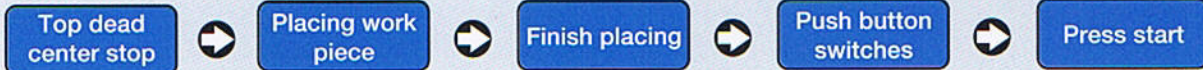


BEAM SWITCH

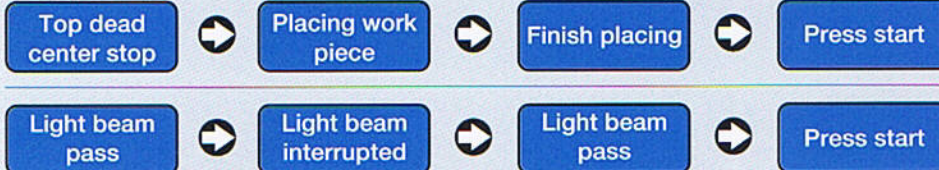
"Beam Switch" is an epoch-making press actuator designed with consideration both safety and working efficiency. As the "Beam Switch" is composed of light beam press actuating system, you can carry out the press work without operation of push button switches. If any beam is interrupted during the slide descending motion of the press, the slide stops immediately to secure safety.

Difference in the press work: "Beam Switch" vs Conventional method

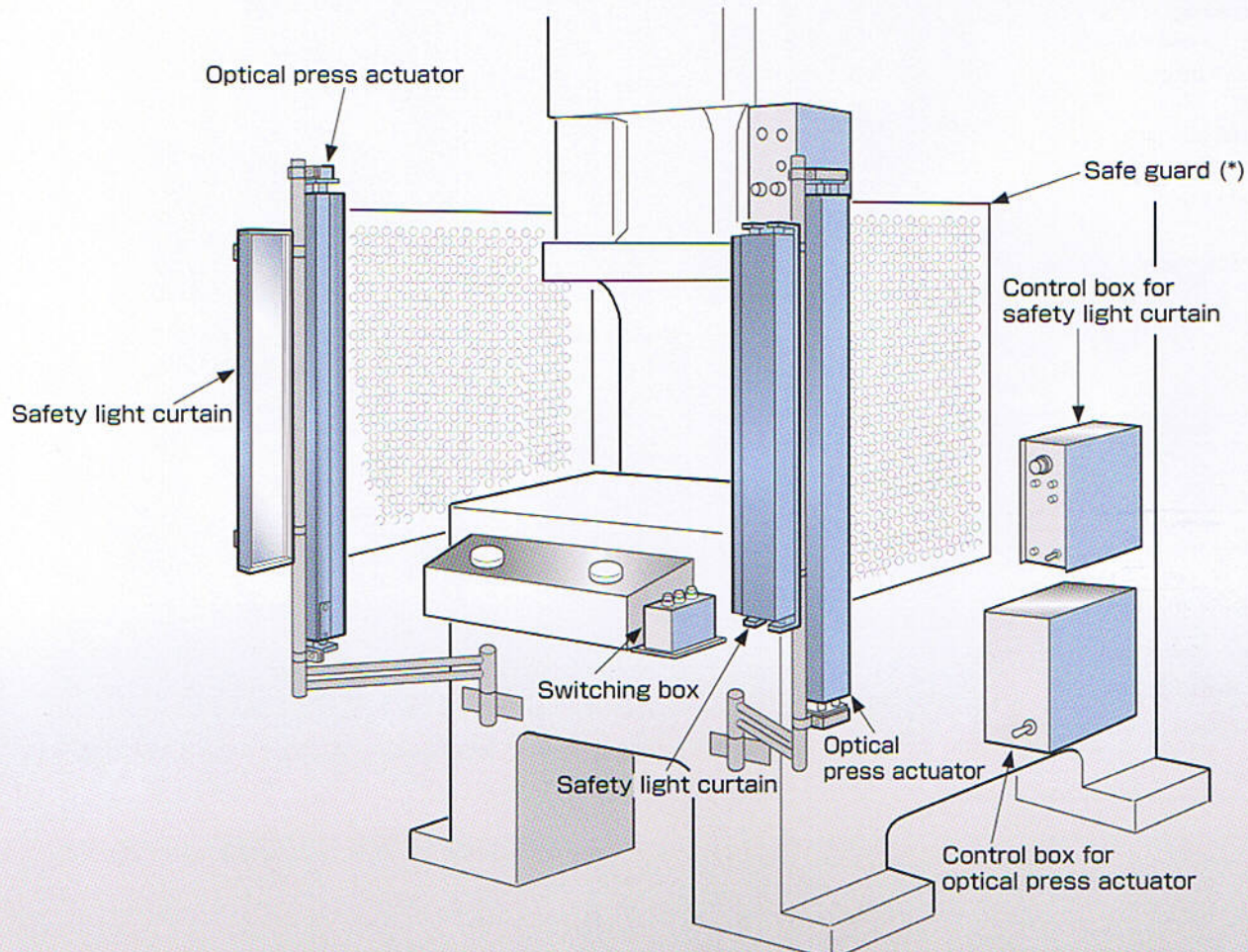
◆ Conventional method



◆ Operation with "Beam Switch"



※ At each process, safety check function is activated.



Enables to operate without pressing two-hand control buttons and makes the press operation much easier.



● "Beam Switch" is not a safety device in itself. When using it, a legally approved safety device is necessary.

Note: When using this device, be sure to cover the unprotected area by safety light curtain using side duards, etc.

OPTICAL PRESS ACTUATOR BEAM SWITCH

"Beam Switch" is an epoch-making press actuator designed with consideration both safety and working efficiency.

- 1 Makes the press operation much easier.
As it is no need to press push button switches, easy operation is possible.
- 2 Makes higher productivity.
Operator can be less tired because no push button switch pressing is required, resulting in greater productivity.

Various check functions support safety operation.

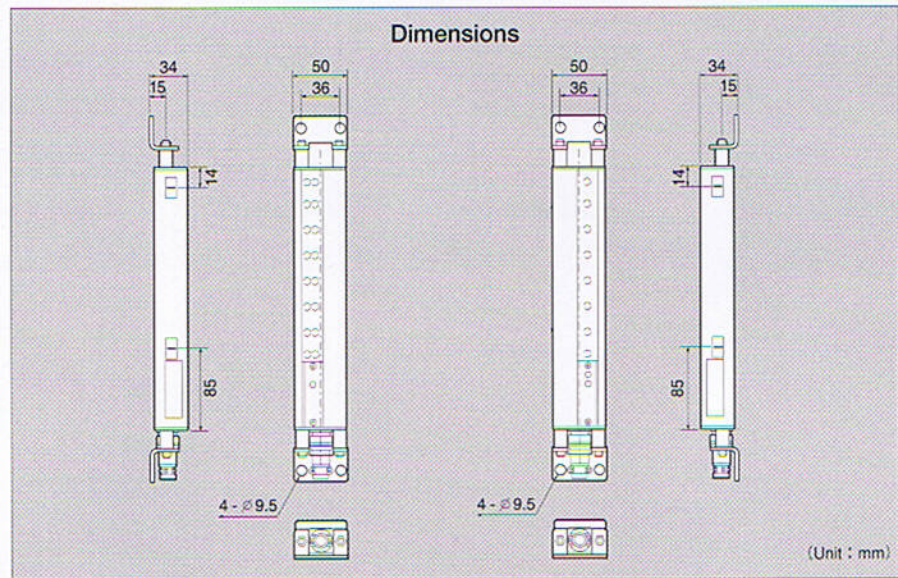
- 1 Actuating is not possible unless positioned in the top dead center.
- 2 No actuating is made other than setting operational process.
- 3 No actuating is made if the operator is away for more than 30 sec.
(Reset operation is necessary to re-actuating.)
- 4 Dual-system configuration for safety using another set of optical safety device together.

Configuration

- ◆ BS2 type control box
- ◆ Emitter
- ◆ Receiver
- ◆ Switching box

Specifications

- ◆ Power supply voltage:
100V AC
- ◆ Output capacity:
3A/AC 240V
- ◆ Operation temperature:
0~50°C (no frosting/icing at 0°C)
- ◆ Light beam spacing:
20mm (sensor for beam switch)
- ◆ Sensor effective height:
380~540mm
- ◆ Detection distance:
300~4,000 (sensor for beam switch)
- ◆ Number of light beams:
20~28 (3 types)
- ◆ Connecting rotary cam:
1 piece



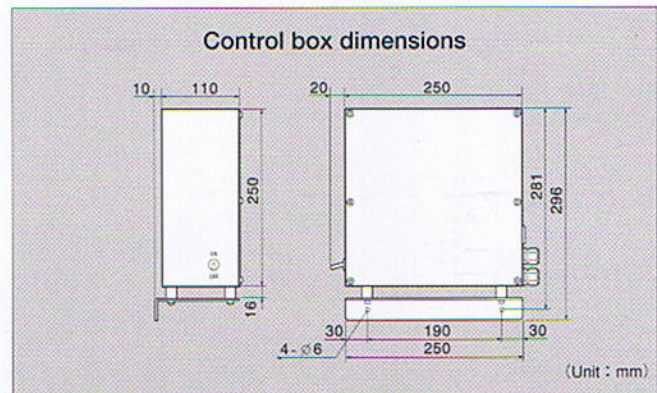
Model selection:

Protective range	RIKEN safety device	Beam switch
200mm>	SE2-24	BS2-340
280mm>	SE2-32	BS2-420
360mm>	SE2-40	BS2-500

* Design and specifications are subject to change without notice.

⚠ Note for safety:

Prior to operation, read the instruction manual supplied and use properly. Never attempt to modify the product.



Note: When using this device, be sure to cover the unprotected by safety light curtain using side guards, etc.

RIKEN RIKEN OPTECH CORPORATION

URL <http://www.rikenoptech.com/>

HEAD OFFICE: 6-9, 2-CHOME, HIGASHI-OHI, SHINAGAWA-KU TOKYO 140-8533, JAPAN
TELEPHONE: 03 (3474) 8602 FAX: 03 (3450) 5295

บริษัท ยามาโตะ (ประเทศไทย) จำกัด
Yamato (Thailand) Co., Ltd.

75/11 Moo 11, Phaholyothin Road, T.Klongnueng, Tel : (02) 9081421-5

A.Klongluang, Pathumthani 12120, Thailand. Fax : (02) 9081429