



SENSING DEVICE FOR PRESS MACHINE

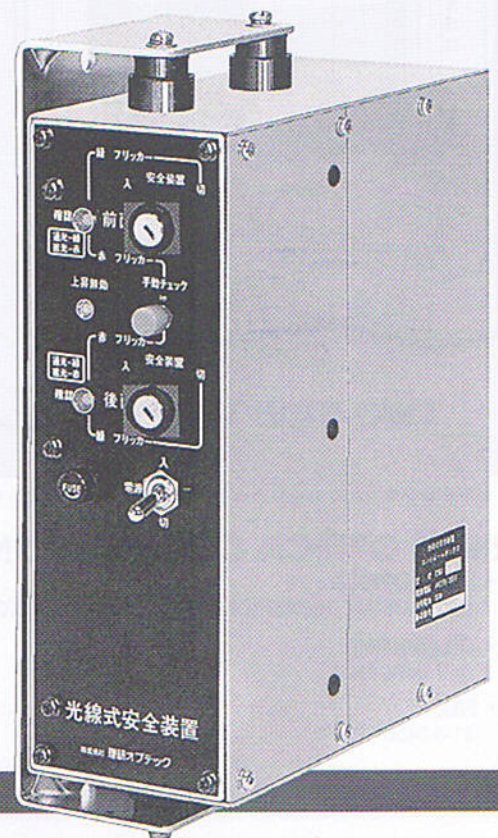
In super-slim, light-weight type possesses effectiveness in safety and operation.

MODEL **RPM**

Features

- * Employed 40 mm pitch optical axis makes positive protection.
 - * Bypass (up-stroke muting) indication lamp clearly displays the invalidity condition when the slide is raising.
 - * A number of optical receiver/projectors are available with a monitoring range of every 160mm. You can select a device best suits your particular press machine.
 - * The compact design requires minimum installation space and thus allows smooth press operation.
 - * Simple adjustment makes optimum optical axes fittings.
 - * The modulator light system is almost immune to the ambient light.
 - * The operating direction of the control box may be easily shifted, thus permitting the installation of the operation panel be for front end or right-sided dependent on the fitting location.
 - * The inspection terminal of the projector/receiver facilitates maintenance and inspection and can be setup.
 - * common with the model RPL-II device.
- RPM model with 4 to 32 throw optical axes are available in the unit of every 4-optical-axes.
 - Each device comes in an one-side type or a two-sides type configuration.

IT MAKES POSITIVE PROTECTION!



• Design and specifications are subject to change for improvement without notice.

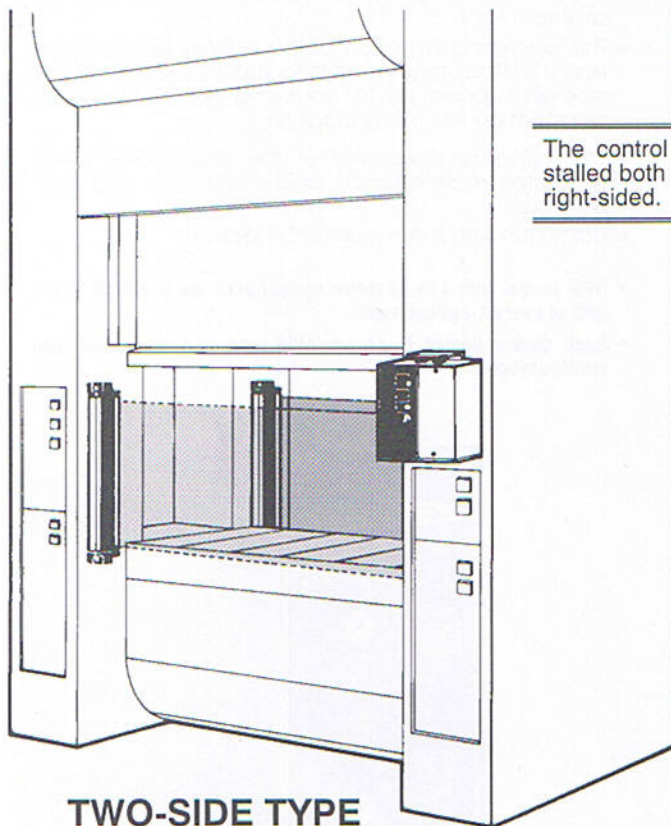
A design concept for greater sensing device model RPM with really thin, optical system type.

SPECIFICATIONS

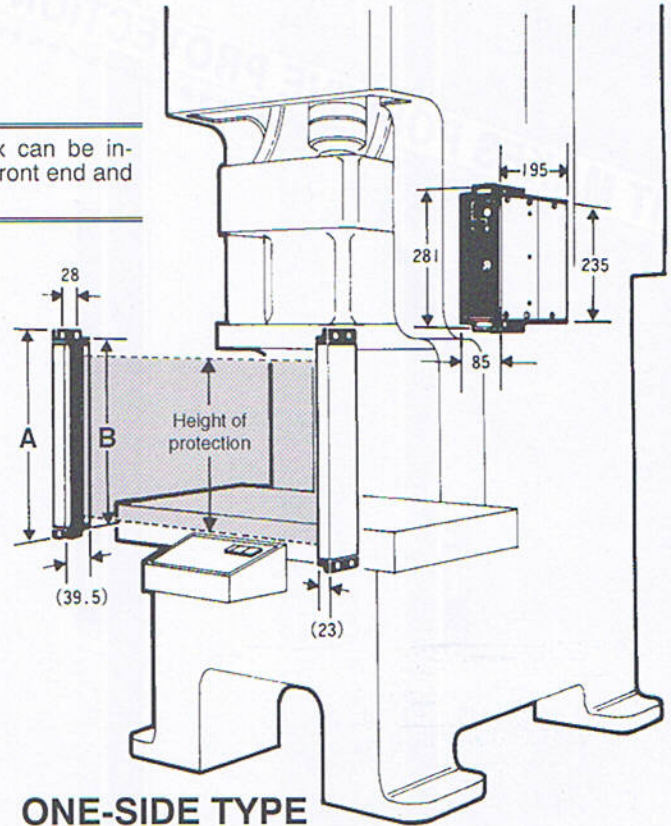
Supply voltage	: AC 100V or AC 200V $\pm 10\%$	Power requirement	: 30W
Power frequency	: 50 Hz / 60 Hz	Ambient temperature	: -5 C~50 C
Output contact	: 1A, 1B (independent)	Effective distance	: 0.1~5m
Output contact rating	: AC 230V, 7A (Cos $\phi = 1$)	Optical axis pitch	: 40mm
Response time	: 15 ms or less (RPM4~RPM12) : 20 ms or less (RPM16~RPM24) : 25 ms or less (RPM28~RPM32)	Projecting Elements	: Infrared LED
		Receiving Elements	: Photo transistors

• Light Sensor Protection Height and Other Dimensions.

Light Sensor	RPM-4	RPM-8	RPM-12	RPM-16	RPM-20	RPM-24	RPM-28	RPM-32
Protection Height	120m/m	280m/m	440m/m	600m/m	760m/m	920m/m	1080m/m	1240m/m
A	318	478	638	798	958	1118	1278	1438
B	306	466	626	786	946	1106	1266	1426



The control box can be installed both by front end and right-sided.



RIKEN OPTECH CORPORATION

- HEAD OFFICE :
6-9, 2-CHOME, HIGASHIOHI, SHINAGAWA-KU, TOKYO 140-8533, JAPAN
- TELEPHONE :
81-3-3474-8602
- FAX :
81-3-3450-5295

บริษัท ยามาโตะ (ประเทศไทย) จำกัด
Yamato (Thailand) Co., Ltd.



75/11 Moo 11, Phaholyothin Road, T.Klongnueng, Tel : (02) 9081421-5
A.Klongluang, Pathumthani 12120, Thailand. Fax : (02) 9081429